



## Sink - Meta

Single-lever lavatory mixer with extended shank without drain - polished chrome

Article number: 33 534 661-00 0010

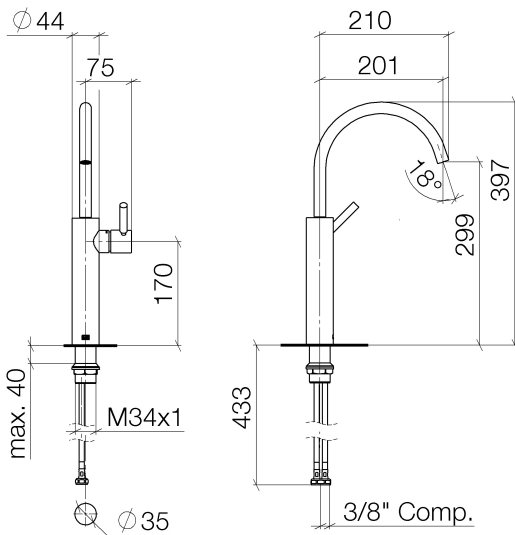


- 7-7/8" Projection
- Swiveling spout 360°
- Round aerated stream
- Total height 15-5/8"
- Height to aerator/spout outlet 11-3/4"
- 1-3/8" hole diameter
- 2 x pressure hose with 3/8" compression fitting
- Water flow rate limited to max. 1.2 gpm
- lead-free
- (ADA)
- For combination with vessel sinks.



polished chrome

## Dimensional drawing



All dimensions in mm / inch = mm x 0,0394

Model/program/technical modifications and error excepted  
For more information see: [www.dornbracht.com](http://www.dornbracht.com) + 49 (0) 2371 433-460 mail@dornbrachtgroup.de

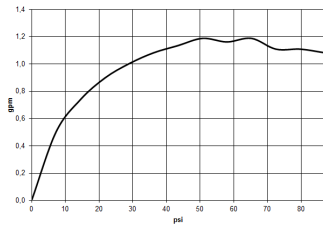


## Sink - Meta

Single-lever lavatory mixer with extended shank without drain - polished chrome

Article number: 33 534 661-00 0010

## Flow rate chart





## Sink - Meta

Single-lever lavatory mixer with extended shank without drain - polished chrome

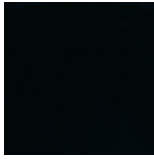
Article number: 33 534 661-00 0010

### Other surface finishes



platinum matte

33 534 661-06 0010

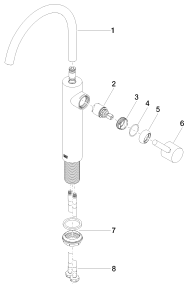


black matte

33 534 661-33 0010

More custom finish options are available via special production (xTra Service). Please see our finish matrix for availability and pricing or contact a Dornbracht representative.

### Spare parts list



Number	Item Number	Designation	Number of units
--------	-------------	-------------	-----------------